

Алматы (7273)495-231
Ангарск (3955)60-70-56
Архангельск (8182)63-90-72
Астрахань (8512)99-46-04
Барнаул (3852)73-04-60
Белгород (4722)40-23-64
Благовещенск (4162)22-76-07
Брянск (4832)59-03-52
Владивосток (423)249-28-31
Владикавказ (8672)28-90-48
Владимир (4922)49-43-18
Волгоград (844)278-03-48
Вологда (8172)26-41-59
Воронеж (473)204-51-73
Екатеринбург (343)384-55-89
Иваново (4932)77-34-06
Ижевск (3412)26-03-58
Иркутск (395)279-98-46
Казань (843)206-01-48

Калининград (4012)72-03-81
Калуга (4842)92-23-67
Кемерово (3842)65-04-62
Киров (8332)68-02-04
Коломна (4966)23-41-49
Кострома (4942)77-07-48
Краснодар (861)203-40-90
Красноярск (391)204-63-61
Курган (3522)50-90-47
Курск (4712)77-13-04
Липецк (4742)52-20-81
Магнитогорск (3519)55-03-13
Москва (495)268-04-70
Мурманск (8152)59-64-93
Набережные Челны (8552)20-53-41
Нижегород (831)429-08-12
Новокузнецк (3843)20-46-81
Новосибирск (383)227-86-73
Новый Сибирск (3496)41-32-12

Омск (3812)21-46-40
Орел (4862)44-53-42
Оренбург (3532)37-68-04
Пенза (8412)22-31-16
Пермь (342)205-81-47
Петрозаводск (8142)55-98-37
Псков (8112)59-10-37
Ростов-на-Дону (863)308-18-15
Рязань (4912)46-61-64
Самара (846)206-03-16
Санкт-Петербург (812)309-46-40
Саранск (8342)22-96-24
Саратов (845)249-38-78
Севастополь (8692)22-31-93
Симферополь (3652)67-13-56
Смоленск (4812)29-41-54
Сочи (862)225-72-31
Ставрополь (8652)20-65-13
Сургут (3462)77-98-35

Сыктывкар (8212)25-95-17
Тамбов (4752)50-40-97
Тверь (4822)63-31-35
Тольятти (8482)63-91-07
Томск (3822)98-41-53
Тула (4872)33-79-87
Тюмень (3452)66-21-18
Улан-Удэ (3012)59-97-51
Ульяновск (8422)24-23-59
Уфа (347)229-48-12
Хабаровск (4212)92-98-04
Чебоксары (8352)28-53-07
Челябинск (351)202-03-61
Череповец (8202)49-02-64
Чита (3022)38-34-83
Якутск (4112)23-90-97
Ярославль (4852)69-52-93

Россия +7(495)268-04-70

Казахстан +7(7172)727-132

Киргизия +996(312)96-26-47

INDEX

COMMERCIAL PUMPS

KAN SERIES 3

KAPRI SERIES 4

KARPA SERIES 5

COMMERCIAL FILTERS

STANDARD SERIES 6 - 7

MANUAL BATTERIES 8



KAN SERIES

3 000 rpm pumps

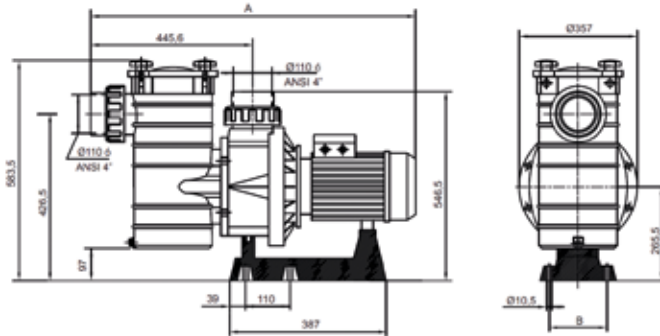


IE3 ✓

- ▶ 5.5 hp to 12.5 hp
- ▶ 3 000 rpm
- ▶ Pump material: thermoplastic pumps

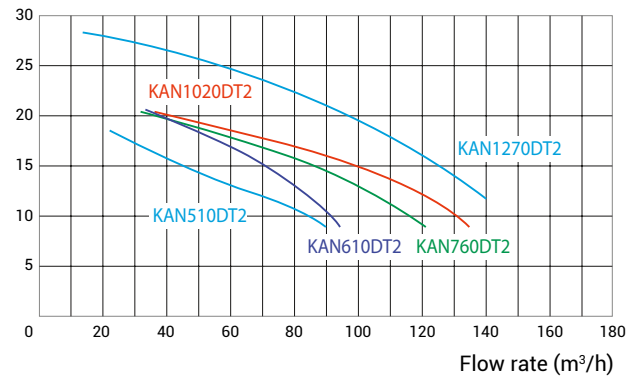
High-capacity pumps

- Self-priming centrifugal pump made of glass-fibre reinforced thermoplastics
- Light weight and easy to install
- The three-phase motors are compliant with the IE3 standard
- High-performance hydraulics
- Turbine made of reinforced Noryl
- This pump is suitable for salt water and sea water
- High-performance TEFC motor
- High-capacity strainer (14 l) with transparent cover for easy maintenance
- Elevated base to ensure proper motor ventilation
- Operates at 50 Hz / 3 000 rpm, IP55, class F insulation
- ANSI connectors can be provided under request
- Uses: very large pools, spas, water features



☉ KAN SERIES Curves

Total dynamic head (m)



| | Reference | P2 (HP) | P1 (kW) | Flow rate* (m³/h) | Inlet / Outlet (mm) | Weight (kg) | Motor | Amperage (A) | Dim A (mm) | Dim B (mm) | Packaging dimensions (mm) | Qty. per pallet (uds) | | |
|------------|----------------|--------------|---------|-------------------|---------------------|-------------|-------|------------------------|------------|------------|---------------------------|-----------------------|---|-------|
| KAN SERIES | KAN510DT2 IE3 | 011451139220 | 5.5 | 4.7 | 64.0 | 110 | 45 | Three-phase 400 / 700V | 9.0 / 5.2 | 914 | 143 | 940 x 390 x 620 | 6 | IE3 ✓ |
| | KAN610DT2 IE3 | 011451239220 | 6.5 | 5.9 | 84.2 | 110 | 46 | Three-phase 400 / 700V | 11.5 / 6.6 | 914 | 143 | 940 x 390 x 620 | 6 | IE3 ✓ |
| | KAN760DT2 IE3 | 011451339220 | 7.5 | 7.0 | 104.5 | 110 | 52 | Three-phase 400 / 700V | 12.1 / 7.0 | 914 | 143 | 940 x 390 x 620 | 6 | IE3 ✓ |
| | KAN1020DT2 IE3 | 011561439220 | 10 | 8.7 | 115.6 | 110 | 66 | Three-phase 400 / 700V | 15.8 / 9.2 | 944 | 185 | 940 x 390 x 620 | 3 | IE3 ✓ |
| | KAN1270DT2 IE3 | 011561539220 | 12.5 | 10.2 | 137 | 110 | 76 | Three-phase 400 / 700V | 18 / 10.4 | 984 | 181.5 | 940 x 390 x 620 | 3 | IE3 ✓ |

*under 12 m water column pressure / P1: Power input / P2: Nominal power

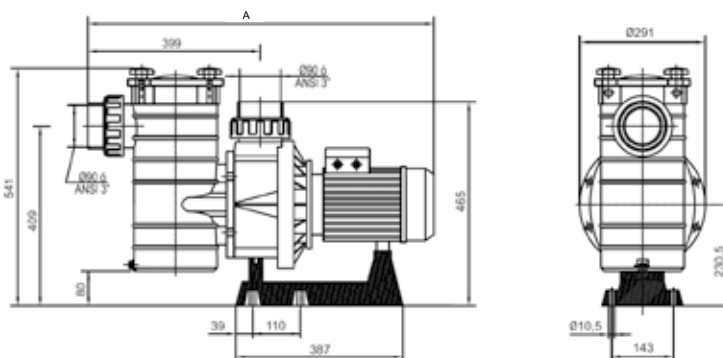


IE3 ✓

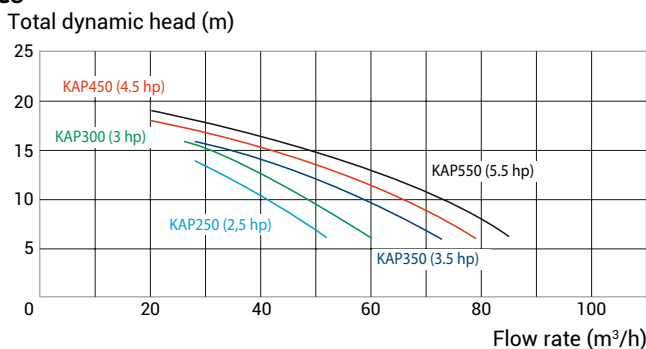
- ▶ 2.5 hp to 5.5 hp
- ▶ 3 000 rpm
- ▶ Pump material: thermoplastic pumps

Light weight and easy to install

- Pump made of glass-fibre reinforced thermoplastics
- The three-phase motors are compliant with the IE3 standard
- Turbine made of reinforced Noryl
- This pump is suitable for salt water and sea water
- Strainer with transparent cover for easy maintenance
- Elevated base to ensure proper motor ventilation
- Operates at 50 Hz / 3 000 rpm, IP55, class F insulation
- ANSI connectors can be provided under request.
- Uses: large pools, spas, water features



☉ KAPRI SERIES Curves



| | Reference | P2 (HP) | P1 (kW) | Flow rate* (m ³ /h) | Inlet / Outlet (mm) | Weight (kg) | Motor | Amperage (A) | Dim A (mm) | Packaging dimensions (mm) | Qty. per pallet (uds) | Efficiency (1) | |
|--------------|---------------|--------------|---------|--------------------------------|---------------------|-------------|-------|-------------------------|-------------|---------------------------|-----------------------|----------------|-------|
| KAPRI SERIES | KAP250DM IE1 | 011221120110 | 2.5 | 2.3 | 35 | 90 | 25.5 | Single-phase 230 V | 12.4 | 760 | 830 x 330 x 570 | 12 | |
| | KAP300DM IE1 | 011231220110 | 3 | 2.8 | 42 | 90 | 26.2 | Single-phase 230 V | 14.5 | 760 | 830 x 330 x 570 | 12 | |
| | KAP250DT1 IE1 | 011221150110 | 2.5 | 2.3 | 35 | 90 | 25.5 | Three-phase 230 / 400 V | 8.3 / 4.8 | 760 | 830 x 330 x 570 | 12 | IE1 |
| | KAP300DT1 IE1 | 011221250110 | 3 | 2.8 | 42 | 90 | 26.2 | Three-phase 230 / 400 V | 8.8 / 5.1 | 760 | 830 x 330 x 570 | 12 | IE1 |
| | KAP350DT1 IE1 | 011231350110 | 3.5 | 3.7 | 50 | 90 | 30.5 | Three-phase 230 / 400 V | 10.4 / 6.0 | 801 | 830 x 330 x 570 | 12 | IE1 |
| | KAP450DT1 IE1 | 011231450110 | 4.5 | 4.3 | 57 | 90 | 30.5 | Three-phase 230 / 400 V | 11.7 / 6.75 | 801 | 830 x 330 x 570 | 12 | IE1 |
| | KAP550DT1 IE1 | 011241550110 | 5.5 | 4.7 | 67 | 90 | 35.5 | Three-phase 230 / 400 V | 14.6 / 8.5 | 815 | 830 x 330 x 570 | 12 | IE1 |
| | KAP550DT2 IE1 | 011241560110 | 5.5 | 4.7 | 67 | 90 | 35.5 | Three-phase 400/700 V | 8.5/4.8 | 815 | 830 x 330 x 570 | 12 | IE1 |
| | KAP250DT1 IE3 | 011231359110 | 2.5 | 2.3 | 35 | 90 | - | Three-phase 230 / 400 V | 8.3 / 4.8 | 760 | 830 x 330 x 570 | 12 | IE3 ✓ |
| | KAP300DT1 IE3 | 011231459110 | 3 | 2.8 | 42 | 90 | - | Three-phase 230 / 400 V | 8.8 / 5.1 | 760 | 830 x 330 x 570 | 12 | IE3 ✓ |
| | KAP350DT1 IE3 | 011241029110 | 3.5 | 3.7 | 50 | 90 | - | Three-phase 230 / 400 V | 10.4 / 6.0 | 801 | 830 x 330 x 570 | 12 | IE3 ✓ |
| | KAP450DT1 IE3 | 011241129110 | 4.5 | 4.3 | 57 | 90 | - | Three-phase 230 / 400 V | 11.7 / 6.75 | 801 | 830 x 330 x 570 | 12 | IE3 ✓ |
| | KAP550DT1 IE3 | 011241559110 | 5.5 | 4.7 | 67 | 90 | 35.5 | Three-phase 230/400 V | 14.6 / 8.5 | 815 | 830 x 330 x 570 | 12 | IE3 ✓ |
| | KAP550DT2 IE3 | 011241569110 | 5.5 | 4.7 | 67 | 90 | 35.5 | Three-phase 400/700 V | 8.5/4.8 | 815 | 830 x 330 x 570 | 12 | IE3 ✓ |

* under 12 m water column pressure / P1: Power input / P2: Nominal Power
New references with IE2 motor will be available from July 2023 for single-phase pumps.

KARPA SERIES

3 000 rpm pumps
without prefilter

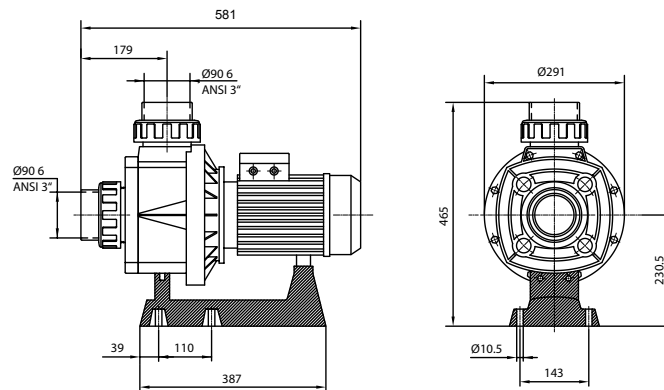


IE3 ✓

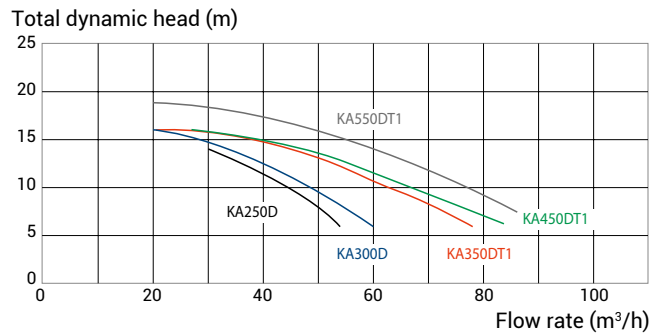
- ▶ 2.5 hp to 5.5 hp
- ▶ 3 000 rpm
- ▶ Pump material: thermoplastic pumps

Centrifugal pumps for up stream equipment, spas

- Pump made of glass-fibre reinforced thermoplastics
- The three-phase motors are compliant with the IE3 standard
- Turbine made of reinforced Noryl
- This pump is suitable for salt water and sea water
- Thermoset plastic hydraulic housing
- Operates at 50 Hz / 3000 rpm, IP55, class F insulation
- Connections: inlet/outlet 90 mm. ANSI connectors can be provided under request.
- Uses: up stream equipment, spas



☉ KAPRA Series Curves



| | Reference | P2 (hp) | P1 (kW) | Flow rate* (m³/h) | Inlet / Outlet (mm) | Weight (kg) | Motor | Amperage (A) | Packaging dimensions (mm) | Qty. per pallet (uds) | Efficiency (1) | |
|--------------|--------------|--------------|---------|-------------------|---------------------|-------------|-------|-------------------------|---------------------------|-----------------------|----------------|--------------|
| KARPA SERIES | KA250DM IE1 | 011121120110 | 2.5 | 2.3 | 44 | 90 | 24.8 | Single-phase 230 V | 12.4 | 610 x 320 x 450 | 18 | |
| | KA300DM IE1 | 011131220110 | 3 | 2.8 | 48 | 90 | 26.8 | Single-phase 230 V | 14.5 | 610 x 320 x 450 | 18 | |
| | KA250DT1 IE1 | 011121150110 | 2.5 | 2.3 | 44 | 90 | 21.5 | Three-phase 230 / 400 V | 8.3/4.8 | 610 x 320 x 450 | 18 | IE1 |
| | KA300DT1 IE1 | 011121250110 | 3 | 2.8 | 48 | 90 | 21.5 | Three-phase 230 / 400 V | 8.8/5.1 | 610 x 320 x 450 | 18 | IE1 |
| | KA350DT1 IE1 | 011131350110 | 3.5 | 3.7 | 63 | 90 | 26.8 | Three-phase 230 / 400 V | 10.4/6 | 610 x 320 x 450 | 18 | IE1 |
| | KA450DT1 IE1 | 011131450110 | 4.5 | 4.3 | 67 | 90 | 26.8 | Three-phase 230 / 400 V | 11.7/6.8 | 610 x 320 x 450 | 18 | IE1 |
| | KA550DT1 IE1 | 011141550110 | 5.5 | 4.7 | 68 | 90 | 31.5 | Three-phase 230/400 V | 14.9/8.6 | 610 x 320 x 450 | 18 | IE1 |
| | KA550DT2 IE1 | 011141560110 | 5.5 | 4.7 | 68 | 90 | 31.5 | Three-phase 400/700 V | 8.5/4.8 | 610 x 320 x 450 | 18 | IE1 |
| | KA250DT1 IE3 | 011131359110 | 2.5 | 2.3 | 44 | 90 | - | Three-phase 230 / 400 V | 8.3/4.8 | 610 x 320 x 450 | 18 | IE3 ✓ |
| | KA300DT1 IE3 | 011131459110 | 3 | 2.8 | 48 | 90 | - | Three-phase 230 / 400 V | 8.8/5.1 | 610 x 320 x 450 | 18 | IE3 ✓ |
| | KA350DT1 IE3 | 011141029110 | 3.5 | 3.7 | 63 | 90 | - | Three-phase 230 / 400 V | 10.4/6 | 610 x 320 x 450 | 18 | IE3 ✓ |
| | KA450DT1 IE3 | 011141129110 | 4.5 | 4.3 | 67 | 90 | - | Three-phase 230 / 400 V | 11.7/6.8 | 610 x 320 x 450 | 18 | IE3 ✓ |
| | KA550DT1 IE3 | 011141559110 | 5.5 | 4.7 | 68 | 90 | 31.5 | Three-phase 230/400 V | 14.9/8.6 | 610 x 320 x 450 | 18 | IE3 ✓ |
| | KA550DT2 IE3 | 011141569110 | 5.5 | 4.7 | 68 | 90 | 31.5 | Three-phase 400/700 V | 8.5/4.8 | 610 x 320 x 450 | 18 | IE3 ✓ |

* under 10 m water column pressure / P1: Power input / P2: Nominal power
New references with IE2 motor will be available from July 2023 for single-phase pumps

**NEW
LID**

MADE IN
EU



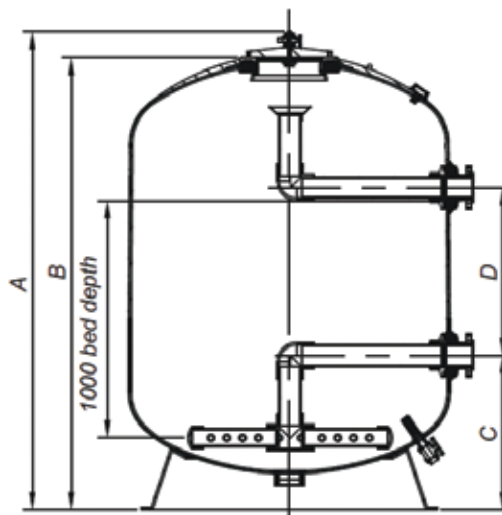
Bobbin-wound Filters

- Sand filters made from bobbin-wound glass-fibre yarn impregnated with polyester resin (GFRP technology)
- Wide range: diameter from 1 050 mm to 3 000 mm
- Operating pressure: 0.5 to 2.0 bar
- Maximum Pressure: 2.5 bar
- Filtration bed depth: 1 m
- Testing pressure: 3.75 kg/cm²
- Large opening on top for easy maintenance 400 x 300 mm
- Arm collector as standard
- Sand outlet 63 or 90 mm in diameter, water drain 1"
- Ball valve for air relief
- Uses: very large pools, water parks, industrial water treatment

- ▶ **Wide range of diameters:**
1 050 mm to 3 000 mm
- ▶ **Filtration bed depth:** 1 m
- ▶ **Arm collector**

Dimensions 1 meter bed depth - arm collector

| D Ø (mm) | 1 050 | 1 200 | 1 400 | 1 600 | 1 800 | 2 000 | 2 200 | 2 350 | 2 500 | 3 000 |
|--|----------------|----------------|----------------|----------------|----------------|------------------|------------------|------------------|------------------|------------------|
| Flanges Ø (mm) | 63/75/90 | 75/90 | 75/90/110 | 90/110/125 | 90/110/125/140 | 110/125/140/160 | 125/140/160/200 | 125/140/160/200 | 140/160/200/225 | 160/200/225/250 |
| Filtration height (m) | 1 | 1 | 1 | 1 | 1 | 1 | 1 | 1 | 1 | 1 |
| A (mm) | 1 816 | 1 816 | 1 816 | 1 916 | 1 956 | 2 060 | 2 135 | 2 376 | 2 700 | 2 870 |
| B (mm) | 1 680 | 1 680 | 1 680 | 1 780 | 1 820 | 1 920 | 2 005 | 2 240 | 2 560 | 2 735 |
| C (mm) | 625 | 630 | 630 | 720 | 750 | 770 | 850 | 940 | 1 080 | 1 175 |
| D (mm) | 550 | 550 | 550 | 490 | 440 | 490 | 420 | 500 | 550 | 550 |
| Filtration area (m ²) | 0.86 | 1.13 | 1.54 | 2.01 | 2.54 | 3.14 | 3.80 | 4.33 | 4.90 | 7.07 |
| Volume (L) | 1 145 | 1 462 | 1 912 | 2 609 | 3 527 | 4 295 | 5 280 | 7 006 | 8 752 | 13 960 |
| Gravel 1-2 (kg) / Sand 0.4 - 0.8 (kg) | 150 / 1 150 | 200 / 1 525 | 325 / 2 075 | 450 / 2 725 | 575 / 3 450 | 1 000 / 4 250 | 1 000 / 4 925 | 1 600 / 5 850 | 1 700 / 6 625 | 2 800 / 9 500 |
| Glass (kg) | 1 180 | 1 560 | 2 160 | 2 860 | 3 640 | 4 740 | 5 280 | 6 700 | 7 500 | 11 080 |

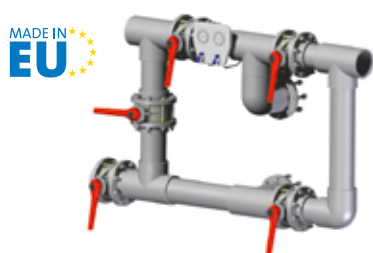


| Reference | Diameter (mm) | Connection (mm) | Flow rate (m ³ /h) | Filtration area (m ²) | Unassembled manual Batteries Reference | Speed (m ³ /h/m ²) |
|-----------------|---------------|-----------------|-------------------------------|-----------------------------------|--|---|
| 036112100061 | 1 050 | 63 | 17 | 0.86 | HCB634UN | 20 |
| 036112121061 | 1 200 | 75 | 22 | 1.13 | HCB754UN | |
| 036112141061 | 1 400 | 75 | 30 | 1.54 | HCB754UN | |
| 036112162061 | 1 600 | 90 | 40 | 2.01 | HCB904UN | |
| 036112182061 | 1 800 | 90 | 50 | 2.54 | HCB904UN | |
| 036112203061 | 2 000 | 110 | 62 | 3.14 | HCB1104UN | |
| 036112224061 | 2 200 | 125 | 76 | 3.8 | HCB1254UN | |
| 036112234061 | 2 350 | 125 | 87 | 4.33 | HCB1254UN | |
| 036112255061 | 2 500 | 140 | 100 | 4.9 | HCB1404UN | |
| 036112306061 | 3 000 | 160 | 140 | 7.07 | HCB1604UN | |
| 036112101061 | 1 050 | 75 | 25 | 0.86 | HCB754UN | 30 |
| 036112121061 | 1 200 | 75 | 33 | 1.13 | HCB754UN | |
| 036112142061 | 1 400 | 90 | 46 | 1.54 | HCB904UN | |
| 036112163061 | 1 600 | 110 | 60 | 2.01 | HCB1104UN | |
| 036112183061 | 1 800 | 110 | 76 | 2.54 | HCB1104UN | |
| 036112204061 | 2 000 | 125 | 94 | 3.14 | HCB1254UN | |
| 036112225061 | 2 200 | 140 | 114 | 3.8 | HCB1404UN | |
| 036112235061 | 2 350 | 140 | 130 | 4.33 | HCB1404UN | |
| 036112256061 | 2 500 | 160 | 150 | 4.9 | HCB1604UN | |
| 036112307061 | 3 000 | 200 | 212 | 7.07 | HCB2004UN | |
| 036112101061 | 1 050 | 75 | 34 | 0.86 | HCB754UN | 40 |
| 036112122061 | 1 200 | 90 | 45 | 1.13 | HCB904UN | |
| 036112143061 | 1 400 | 110 | 61 | 1.54 | HCB1104UN | |
| 036112163061 | 1 600 | 110 | 80 | 2.01 | HCB1104UN | |
| 036112184061 | 1 800 | 125 | 101 | 2.54 | HCB1254UN | |
| 036112205061 | 2 000 | 140 | 125 | 3.14 | HCB1404UN | |
| 036112226061 | 2 200 | 160 | 152 | 3.8 | HCB1604UN | |
| 036112236061 | 2 350 | 160 | 175 | 4.33 | HCB1604UN | |
| 036112257061 | 2 500 | 200 | 200 | 4.9 | HCB2004UN | |
| 03611230806150* | 3 000 | 225 | 282 | 7.07 | HCB2254UN | |
| 036112102061 | 1 050 | 90 | 43 | 0.86 | HCB904UN | 50 |
| 036112122061 | 1 200 | 90 | 56 | 1.13 | HCB904UN | |
| 036112143061 | 1 400 | 110 | 77 | 1.54 | HCB1104UN | |
| 036112164061 | 1 600 | 125 | 100 | 2.01 | HCB1254UN | |
| 036112185061 | 1 800 | 140 | 125 | 2.54 | HCB1404UN | |
| 036112206061 | 2 000 | 160 | 157 | 3.14 | HCB1604UN | |
| 036112227061 | 2 200 | 200 | 190 | 3.8 | HCB2004UN | |
| 036112237061 | 2 350 | 200 | 217 | 4.33 | HCB2004UN | |
| 03611225806150* | 2 500 | 225 | 250 | 4.9 | HCB2254UN | |
| 03611230906150* | 3 000 | 250 | 353 | 7.07 | HCB2504UN | |

Automatic batteries under request:Pneumatic or Electric actuators available-Unassembled or assembled on demand
 * Only possible to provide with lateral manhole D 500 mm

Manual unassembled filter batteries

- Manual filter batteries are fitted with five high-quality PVC butterfly valves and a pressure gauge control panel
- Delivered unassembled single package. Easy to manage and transport
- Right or left installation possible, hand easy installation guide included
- Batteries assembled on request



Unassembled batteries for filter reference 2,5 and 4 bar

Support Rods and fixation clamps

HILTI - CLAMPS:



| Ref. | Description |
|--------------|--------------------------|
| 259007500000 | D75-1 Unit clamps Hilti |
| 259009000000 | D90-1 Unit clamps Hilti |
| 259011000000 | D110-1 Unit clamps Hilti |
| 259012500000 | D125-1 Unit clamps Hilti |
| 259014000000 | D140-1 Unit clamps Hilti |
| 259016000000 | D160-1 Unit clamps Hilti |
| 259020000000 | D200-1 Unit clamps Hilti |
| 259022500000 | D225-1 Unit clamps Hilti |
| 259025000000 | D250-1 Unit clamps Hilti |

HILTI-RODS



| Ref. | Description |
|--------------|-------------------------------------|
| 259010000000 | 2 RODS (2 meters) + 4 CAPS included |
| 259000000010 | 2 RODS (3 meters) + 4 CAPS included |

| Reference | Designation |
|-----------|---|
| HCB634UN | Unassembled 5 valves - Battery D63 - 2,5-4 bar |
| HCB754UN | Unassembled 5 valves - Battery D75 - 2,5-4 bar |
| HCB904UN | Unassembled 5 valves - Battery D90 - 2,5-4 bar |
| HCB1104UN | Unassembled 5 valves - Battery D110 - 2,5-4 bar |
| HCB1254UN | Unassembled 5 valves - Battery D125 - 2,5-4 bar |
| HCB1404UN | Unassembled 5 valves - Battery D140 - 2,5-4 bar |
| HCB1604UN | Unassembled 5 valves - Battery D160 - 2,5-4 bar |
| HCB2004UN | Unassembled 5 valves - Battery D200 - 2,5-4 bar |
| HCB2254UN | Unassembled 5 valves - Battery D225 - 2,5-4 bar |
| HCB2504UN | Unassembled 5 valves - Battery D250 - 2,5-4 bar |

EQUIPMENT DETAILS BY CONNECTIONS

| Connections | Rods | Clamps | Standard Valves | Fitting and pipes | Screws and joins | Pressure gauge panel | Guide line, Cutting Pipe |
|-------------|------------|------------|-----------------|-------------------|------------------|----------------------|--------------------------|
| ø 63 | X (option) | X (option) | V | V | V | V | V |
| ø 75 | X (option) | X (option) | V | V | V | V | V |
| ø 90 | X (option) | X (option) | V | V | V | V | V |
| ø 110 | X (option) | V | V | V | V | V | V |
| ø 125 | X (option) | V | V | V | V | V | V |
| ø 140 | X (option) | V | V | V | V | V | V |
| ø 160 | X (option) | V | V | V | V | V | V |
| ø 200 | X (option) | V | V | V | V | V | V |
| ø 225 | X (option) | V | V | V | V | V | V |

Алматы (7273)495-231
Ангарск (3955)60-70-56
Архангельск (8182)63-90-72
Астрахань (8512)99-46-04
Барнаул (3852)73-04-60
Белгород (4722)40-23-64
Благовещенск (4162)22-76-07
Брянск (4832)59-03-52
Владивосток (423)249-28-31
Владикавказ (8672)28-90-48
Владимир (4922)49-43-18
Волгоград (844)278-03-48
Вологда (8172)26-41-59
Воронеж (473)204-51-73
Екатеринбург (343)384-55-89
Иваново (4932)77-34-06
Ижевск (3412)26-03-58
Иркутск (395)279-98-46
Казань (843)206-01-48

Калининград (4012)72-03-81
Калуга (4842)92-23-67
Кемерово (3842)65-04-62
Киров (8332)68-02-04
Коломна (4966)23-41-49
Кострома (4942)77-07-48
Краснодар (861)203-40-90
Красноярск (391)204-63-61
Курган (3522)50-90-47
Курск (4712)77-13-04
Липецк (4742)52-20-81
Магнитогорск (3519)55-03-13
Москва (495)268-04-70
Мурманск (8152)59-64-93
Набережные Челны (8552)20-53-41
Нижний Новгород (831)429-08-12
Новокузнецк (3843)20-46-81
Новосибирск (383)227-86-73
Ноябрьск (3496)41-32-12

Омск (3812)21-46-40
Орел (4862)44-53-42
Оренбург (3532)37-68-04
Пенза (8412)22-31-16
Пермь (342)205-81-47
Петрозаводск (8142)55-98-37
Псков (8112)59-10-37
Ростов-на-Дону (863)308-18-15
Рязань (4912)46-61-64
Самара (846)206-03-16
Санкт-Петербург (812)309-46-40
Саранск (8342)22-96-24
Саратов (845)249-38-78
Севастополь (8692)22-31-93
Симферополь (3652)67-13-56
Смоленск (4812)29-41-54
Сочи (862)225-72-31
Ставрополь (8652)20-65-13
Сургут (3462)77-98-35

Сыктывкар (8212)25-95-17
Тамбов (4752)50-40-97
Тверь (4822)63-31-35
Тольятти (8482)63-91-07
Томск (3822)98-41-53
Тула (4872)33-79-87
Тюмень (3452)66-21-18
Улан-Удэ (3012)59-97-51
Ульяновск (8422)24-23-59
Уфа (347)229-48-12
Хабаровск (4212)92-98-04
Чебоксары (8352)28-53-07
Челябинск (351)202-03-61
Череповец (8202)49-02-64
Чита (3022)38-34-83
Якутск (4112)23-90-97
Ярославль (4852)69-52-93

Россия +7(495)268-04-70

Казахстан +7(7172)727-132

Киргизия +996(312)96-26-47

www.kripsol.nt-rt.ru | kop@nt-rt.ru

KRIPSOL®